

ZEROTECH

INSTRUCTION MANUAL

ZEROTECH RIFLESCOPES

VENGEANCE (MODEL 1-6X24)

WARNING

KEEP BATTERIES OUT OF REACH OF CHILDREN



**THIS PRODUCT CONTAINS A COIN BATTERY.
THE BATTERY CAN CAUSE SEVERE OR FATAL INJURIES IN
2 HOURS OR LESS IF IT IS SWALLOWED OR PLACED
INSIDE ANY PART OF THE BODY.**

CONTENTS

PAGES	4	INTRODUCTION
	5	LIFETIME WARRANTY
	6	SCOPE FEATURES
	7	SETTING THE DIOPTRE
	9	MOUNTING YOUR SCOPE
	11	ZEROING YOUR RIFLE
	14	RESETTING THE TURRETS AFTER ZEROING
	15	RETICLE ILLUMINATION FEATURE
	16	BATTERY INSTALLATION
	17	SCOPE CARE
	18	RETICLES
	19	WARRANTY & CONTACT INFORMATION
	20	BULLET DROP DETAILS
	21	ZEROTECH INFORMATION

INTRODUCTION

WELCOME TO THE ZERO TECH RIFLESCOPE FAMILY!

Customer First - We listened to you and came up with a family of riflescopes that will satisfy the needs of our most discerning and experienced customers.

Backed by Experience - ZeroTech enjoys 55 years of experience in the Optics Market supplying high quality brands to retailers throughout Australia and the Asia Pacific.

Built for the Australian Shooter - Designed and built to endure the harsh conditions of the Australian bush and the exacting demands of the precision shooter.

Lifetime Warranty - Be safe in the knowledge that your scope is backed by our Triple A Lifetime Warranty: **'ANY OWNER, ANY PROBLEM, ALWAYS COVERED'**

Bespoke Reticles - Practical Reticles for the Everyday Shooter.

LIFETIME WARRANTY

BACKED FOR LIFE!

Be safe in the knowledge that your scope is backed by our **Triple A Lifetime Warranty**:

- Fully transferable, covers accidental damage as well as defects in materials and workmanship.
- No receipt or warranty card is required.
- We will repair or replace product with equal or similar value and/or specifications.
- We will return product to you at no charge.



LIFETIME WARRANTY

**'ANY OWNER, ANY PROBLEM,
ALWAYS COVERED'**

SCOPE FEATURES

VENGEANCE 1-6X24



SETTING THE DIOPTRE

BEFORE YOU START USING YOUR SCOPE, IT IS EXTREMELY IMPORTANT TO MAKE SURE YOU HAVE ADJUSTED THE DIOPTRE CORRECTLY. THE CORRECT DIOPTRE SETTING WILL ENSURE THAT YOUR RETICLE REMAINS CLEAR AND SHARP THROUGHOUT THE ENTIRE FOCAL RANGE OF YOUR SCOPE. TO SET YOUR DIOPTRE, FOLLOW THE STEPS BELOW;

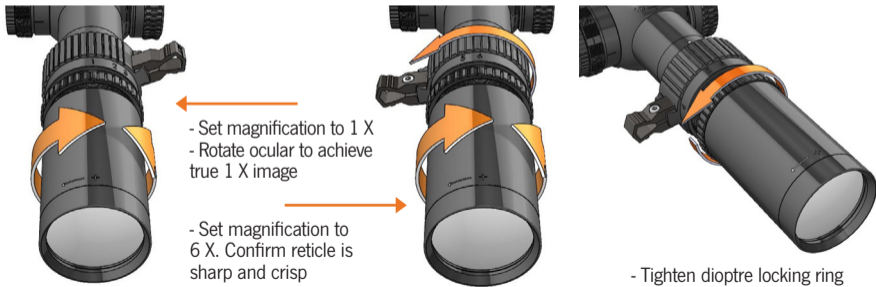
- 1.** Loosen the dioptre locking ring and unscrew away from the ocular for several revolutions.
- 2.** Adjust the magnification to 1x.
- 3.** Whilst looking through the scope at an object between 15 to 50 metres away, rotate the ocular until the object appears at true 1x magnification.



- Loosen the dioptre locking ring

NEVER LOOK THROUGH YOUR SCOPE DIRECTLY AT THE SUN.

4. Adjust the magnification to full power (6x) and confirm the reticle is well focused. The reticle should appear sharp and crisp from edge to edge. Make small adjustments on the ocular to sharpen the appearance of the reticle, if required.
5. Once the desired setting has been achieved, tighten the locking ring against the ocular, being careful not to rotate the ocular and disturb the diopetre setting.



MOUNTING YOUR SCOPE

- BEFORE MOUNTING YOUR SCOPE TO A FIREARM, IT IS ESSENTIAL THAT YOU CONFIRM THAT YOUR FIREARM IS UNLOADED AND NO AMMUNITION IS PRESENT IN YOUR WORKSPACE.
- TO AVOID DAMAGE AND TO PRESERVE YOUR WARRANTY, YOUR SCOPE SHOULD ALWAYS BE MOUNTED BY AN EXPERIENCED PROFESSIONAL.

1. Once you are satisfied the base(s) is correctly fitted to the receiver of your firearm, proceed to fit the rings to the base(s) and ensure the ring clamps are tightened to the recommend torque settings as specified by the manufacturer.
2. With the ring tops removed, place the scope in the ring bases and gently slide the scope back and fourth in the ring bases to ensure the scope slides freely. If the scope does not slide freely, lapping of the rings may be necessary to avoid damage to the scope maintube. ZeroTech always recommends the use of high quality rings and bases

to ensure the best possible fitting of your scope.

3. Avoid mounting the scope with the rings contacting the junction of the maintube/ erector housing, magnification ring/ maintube junction or the objective/ maintube junction.
4. It is essential to confirm that no part of the scope is contacting the barrel or receiver when the scope is mounted in the rings.
5. Once you have confirmed the fit of the scope in the ring bases, fit the ring tops and tighten the ring top bolts to between 22–25 in lbs or 2.5–2.8NM.
6. ZeroTech highly recommends the use of a scope level (bubble level) fitted to the rings or the scope maintube to ensure the reticle can consistently be aligned with the fall of gravity every time a shot is fired. This is particularly important for precision shooting applications.

***If your level mounts to the maintube of the scope, follow the same guidelines as observed for scope ring fitting to ensure the level does not damage the maintube of your scope.**

ZEROING YOUR RIFLE

ZEROING DISTANCES

Centrefire Rifles: Zerotech recommends zeroing most centrefire rifles at approximately 100 metres +/- 10 metres. 100 metres enables the shooter to overcome any offset problems caused by the centre height of the scope above bore but is not too far as to accidentally build in an error due to unobserved environmental conditions such as wind. If you have a low magnification scope, such as the Vengeance 1-6x24, you may wish to zero your rifle at a closer distance.

Rimfire Rifles: Most commonly, rimfire hunting rifles are zeroed at 50 – 75 metres depending on the type of ammunition being used. Rimfire target rifles may have different zeroing requirements depending on purpose.

We always recommend that you zero your rifle in the same manner as you typically shoot your rifle. For example, if you mainly shoot your rifle from a bench, zero your

rifle by shooting from a bench. If you predominately shoot your rifle in the prone position, zero your rifle from the same position.

Before you fire your first shot, you should bore sight your rifle to ensure your scope and your barrel are both aligned at the intended point of impact on your target.

To do this with a bolt action rifle, remove the bolt with the rifle securely supported (front and rear) and align the bore with the target. Without disturbing the rifle, carefully look through the scope and check that the reticle is also aligned with the same point as the bore on the target. If the reticle is not aligned, use the windage and elevation adjustments on your scope to adjust the reticle to the intended point of impact on the target.

Once you are satisfied that the scope and the bore of your rifle are aligned to the same point on the target, fire a shot at the target and observe the point of impact (bullet hole).

If required, use the windage and elevation turrets on your scope to adjust the bullet impact.

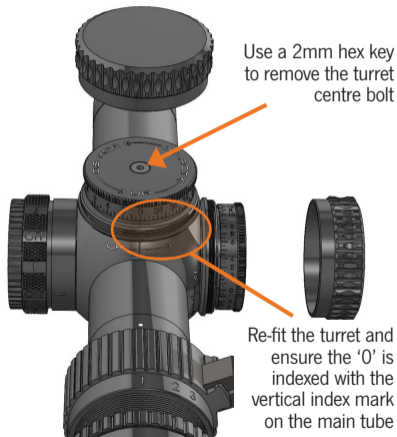
Dialling the elevation turret in the direction of the 'U' symbol will adjust the bullet impact upwards on the target. Likewise, dialling the windage turret in the direction of the 'R' symbol will adjust the bullet impact to the right on the target.

- ▲ If your scope turrets are indexed in $\frac{1}{4}$ Minutes of Angle (0.25 MOA), each 'click' of your scope turret will adjust your bullet impact approximately 7-8mm at 100 metres (approx. $\frac{1}{4}$ " at 100 yards).
- ▲ If your scope turrets are indexed in $\frac{1}{2}$ Minutes of Angle (0.5 MOA), each 'click' of your turret will adjust your bullet impact approximately 15mm at 100 metres (0.5" at 100 yards) or 7-8mm at 50 metres (0.25" at 50 yards).
- ▲ If your scope turrets are indexed in 0.1 Milrad (0.1 MRAD), each 'click' of your scope turret will adjust your bullet impact 1cm at 100 metres (0.36" at 100 yards).

RESETTING THE TURRETS AFTER ZEROING

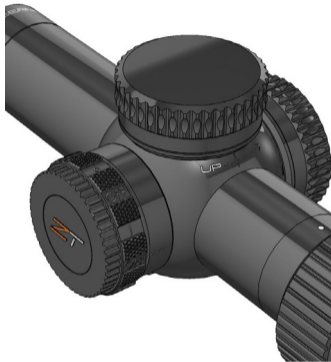
Once you have obtained a zero on your rifle/ scope, you can remove the windage and elevation turrets using a 2mm hex key.

1. Unscrew and remove the elevation turret centre bolt.
2. Slide the elevation turret completely away from the scope body and re position, ensuring that the '0' index mark on the turret lines up with the vertical index mark on the main tube.
3. Re-fit and tighten the turret centre bolt and double check the turret is in the '0' position.
4. Repeat this process for the windage turret.

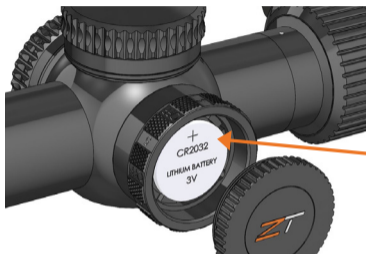
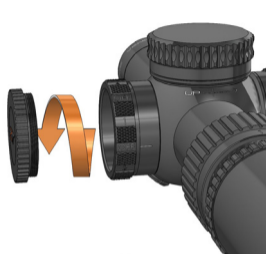


RETICLE ILLUMINATION FEATURE

1. Vengeance 1-6x24 models are equipped with a reticle illumination feature.
2. Before use, you will need to remove the illumination dial battery cap and discard the plastic circuit blocker.
3. The CR2032 button battery can then be reinstalled and the illumination dial battery cap refitted.
4. The illumination function has 6 different reticle brightness settings as well as an “Off” function between each brightness setting.
5. Be sure to switch your reticle illumination setting to the “Off” position when your rifle is in storage or in transport.
6. We always recommend to carry a spare CR2032 button battery when you’re using your rifle, especially if you’re heavily reliant on the illumination function.



REMOVING THE ILLUMINATION BATTERY COVER



Insert battery here

WARNING

KEEP BATTERIES OUT OF REACH OF CHILDREN



THIS PRODUCT CONTAINS A COIN BATTERY.
THE BATTERY CAN CAUSE SEVERE OR FATAL INJURIES IN
2 HOURS OR LESS IF IT IS SWALLOWED OR PLACED
INSIDE ANY PART OF THE BODY.

WARNING – KEEP BATTERIES OUT OF REACH OF CHILDREN

Zerotech rifle scopes and optics with a reticle illumination feature contain coin batteries. Products containing coin batteries must be kept out of reach of children. The battery can cause severe or fatal injuries in 2 hours or less if it is swallowed or placed inside any part of the body. If you suspect your child has swallowed or inserted a button battery immediately call the 24-hour Poisons Information Centre on 13 11 26 (Australia) for fast, expert advice.

SCOPE CARE

1. Wipe dust and debris from your scope body using a damp microfibre cleaning cloth.
2. If necessary, clean dust and dirt from the scope lenses using a lens brush and the ZeroTech lens cleaning cloth.
3. Never spray cleaners or solvents on any part of your scope. Irreversible damage may be caused by such products.
4. Avoid touching the scope lenses. Wipe fingerprints off the scope lenses using the ZeroTech lens cleaning cloth.

RETICLES

Your new Vengeance 1-6x24 riflescope comes fitted with a reticle designed in-house by ZeroTech.

ZeroTech scopes feature a range of different reticles, designed specifically to help you maximise your shooting experience.

For further information visit the Reticles page on our website by scanning the QR code.



zerotech.com.au/reticles

PRACTICAL RETICLES FOR THE EVERYDAY SHOOTER.

WARRANTY & CONTACT INFORMATION

Please direct all enquiries to service@zerotech.com.au

Company details;

ZEROTECH INTERNATIONAL PTY LTD

Ph: +612 9938 3244

Email: sales@zerotech.com.au

Address:

PO BOX 7200,
Warringah Mall,
NSW, 2100
AUSTRALIA

For global partners scan
the QR code below.



zerotech.com.au/global-partners

BULLET DROP DETAILS

CARTRIDGE: _____ PROJECTILE: _____ BC*: _____ VELOCITY: _____

H.O.B.**: _____ TWIST RATE: _____ ZERO DISTANCE: _____

	DIST.	ELEVATION	DIST.	ELEVATION	DIST.	ELEVATION
DISTANCE	100m		325m		500m	
	150m		350m		525m	
	200m		375m		550m	
	225m		400m		575m	
	250m		425m		600m	
	275m		450m		625m	
	300m		475m		650m	

* BC = BALLISTIC COEFFICIENT ** H.O.B. = HEIGHT OVER BORE

ZEROTECH INFORMATION

For more information on ZeroTech products please visit our websites:



Australian website
zerotech.com.au



US website
zerotechoptics.com

NOTES



www.zerotech.com.au





LIFETIME WARRANTY

'ANY OWNER, ANY PROBLEM, ALWAYS COVERED'

www.zerotech.com.au



ZERO-TECH 2021 | Specifications subject to change without notice